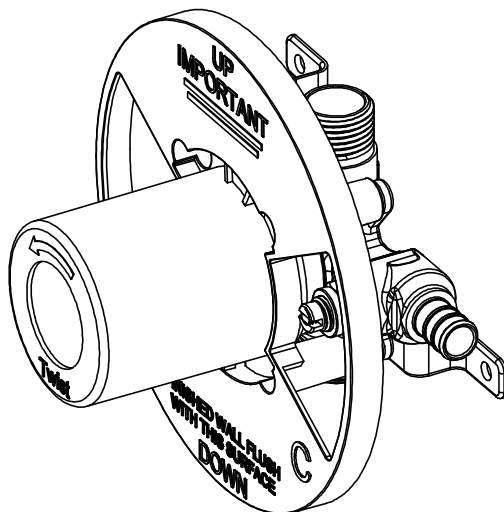


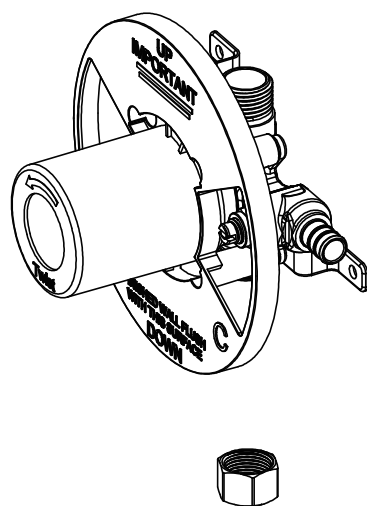
Installation Instructions



S33RITVPBPEXBG3-WS

BEFORE INSTALLATION

Shut off water supply.
Check to make sure you have all parts indicated below:



NECESSARY TOOLS

You will be using the following tools indicated below:



Groove Joint Plier



Adjustable Wrench



Flat Screwdriver



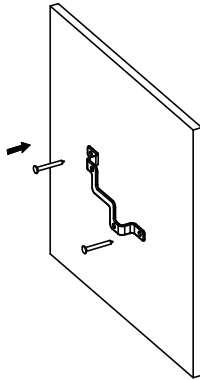
Thread Tape

SAFETY TIPS

- If you use soldering for the installation of the faucet, the seats, cartridges and washers will have to be removed before using flame. Otherwise, warranty will be void on these parts
- Cover your drain to avoid losing parts
- When installing flexible hose, there should be no torsion or deformation; **DO NOT** fold into V or L shape; **DO NOT** use if there are any cracks or deformations.

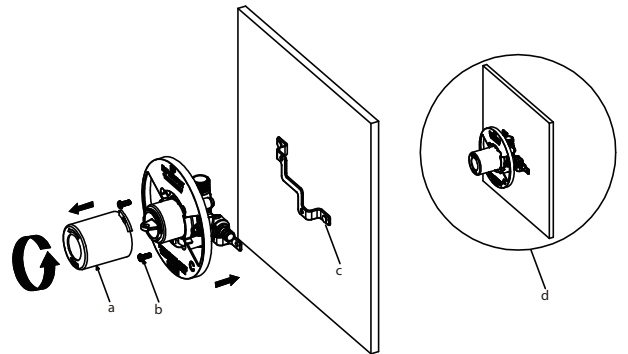
NEED HELP? For customer service and warranty information please visit stream33.com

1



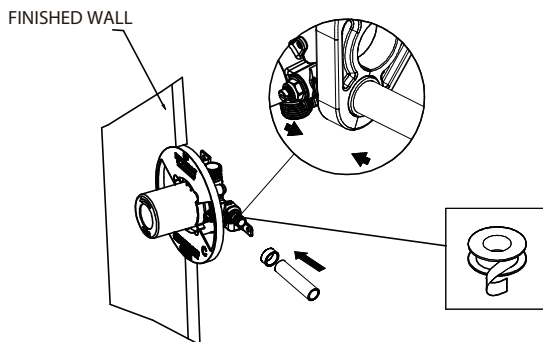
Install the valve body bracket on support board behind finished wall using nails or screws. Be sure to consider the type and thickness of the finished wall. Valve must be installed so that plasterguard is flush with finished wall.

2



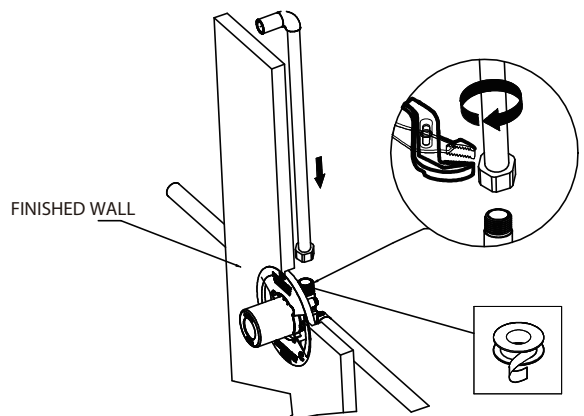
Install valve body onto valve bracket. Be sure valve orientation matches instructions on plasterguard.

3



Apply thread tape on all threads and connect the water supply tubes to valve body.

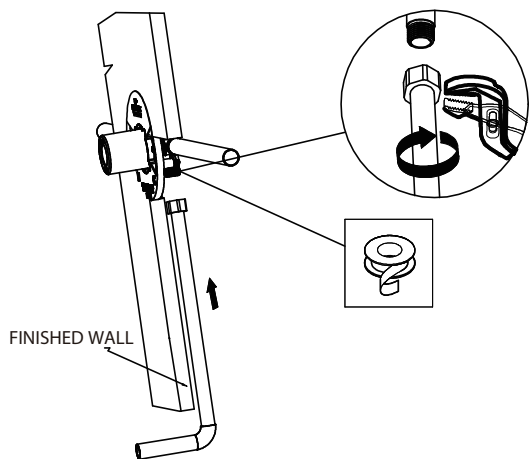
4



If using threaded fittings, apply thread tape on all threads and attach vertical shower pipe and elbow to valve body.

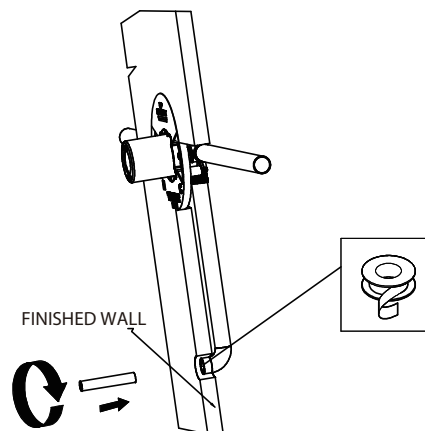
NEED HELP? For customer service and warranty information please visit stream33.com

5



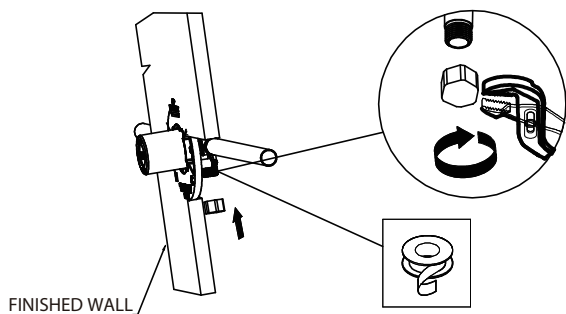
FOR TUB SPOUT INSTALLATION ONLY: If using thread fittings, apply thread tape on all threads and attach vertical spout pipe and elbow to body.

6



FOR TUB SPOUT INSTALLATION ONLY: Install 1/2" copper pipe for tub spout slip fit connection. Use thread tape if necessary.

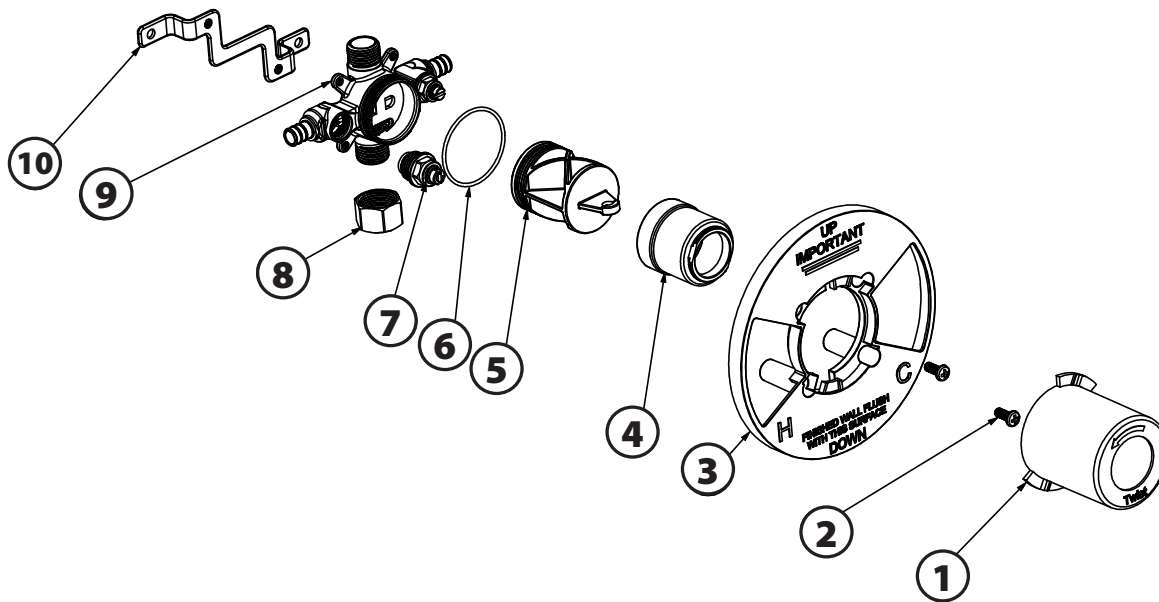
7



FOR SHOWER ONLY INSTALLATION: Apply thread tape and install shower cap on tub spout port.

NEED HELP? For customer service and warranty information please visit stream33.com

Part #	Replacement Part	Name
1	111340211008	Cover
2	C0_19UNC24X0_587X01	Screw
3	111340211007	Escutcheon
4	111340211001	Nut
5	DT-001	Plug
6	R41X1_78X03	O-ring
7	JZ-001	Stop Valve
8	L21X14_5X01G	Nut
9	111340081013-3	Body
10	111340081016	Support



NEED HELP? For customer service and warranty information please visit stream33.com



WARRANTY

Stream33 Products LLC (Stream33) warrants to the ORIGINAL CONSUMER PURCHASER that its Faucets shall be free from defects in material and workmanship under normal use and service FOR A LIMITED LIFETIME WARRANTY. This warranty cannot be transferred - it is extended only to the original Purchaser or First User of the Product. By accepting and keeping this Product you agree to all of the warranty terms and limitations of liability described below.

Stream33's obligations under the warranty set forth above shall be to replace any Stream33 Faucet which is defective.

WHAT IS NOT COVERED?

The warranty above does not cover and Stream33 is not liable for, (i) installation, (ii) any labor charges, (iii) use in any non-residential application, including business, commercial, and industrial usage, (iv) reasonable wear and tear or (v) products which have been damaged as a result of any accident, misuse, abuse, neglect, improper installation or maintenance, the use of steel wool, abrasive or organic solvent cleaners, modification, failure to use the Faucets in accordance with instructions provided by Stream33.

HOW TO OBTAIN WARRANTY SERVICE

Contact our warranty department at 740-314-1277 to report the defect. Return failed product with proof of purchase, your name, and address within 30 days of failure to:

Stream33 Products LLC
350 Courtney Road
Sebring, Ohio 44672 USA

LIMITATION OF LIABILITY

Stream33's liability on any claim of any kind, including, without limitation, warranty, negligence and/or breach of contract, shall in no case exceed the purchase price paid by the Customer. IN NO EVENT SHALL STREAM33 BE LIABLE FOR ANY SPECIAL, INCIDENTAL, CONSEQUENTIAL (INCLUDING, WITHOUT LIMITATION, DAMAGE TO PROPERTY) OR PUNITIVE DAMAGES, DAMAGES IN THE NATURE OF PENALTIES OR SIMILAR OR RELATED DAMAGES OF ANY KIND.

DISCLAIMER OF WARRANTIES

STREAM33 EXPRESSLY DISCLAIMS ALL WARRANTIES, EXCEPT AS EXPLICITLY STATED HEREIN, TO THE FULLEST EXTENT PERMITTED BY LAW, WHETHER WRITTEN, ORAL, EXPRESS OR IMPLIED, INCLUDING ANY WARRANTY OF PERFORMANCE, MERCHANTABILITY, FITNESS FOR A PARTICULAR PURPOSE, AND NONINFRINGEMENT. THIS DISCLAIMER INCLUDES ANY ORAL WARRANTIES OR REPRESENTATIONS MADE OR IMPLIED BY ANY AGENT, EMPLOYEE, SUBCONTRACTOR, MANAGER, DIRECTOR AND/OR REPRESENTATIVE OF STREAM33.